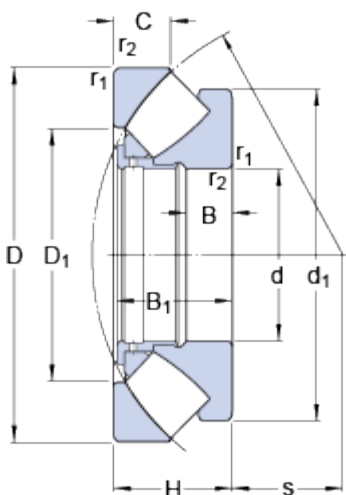


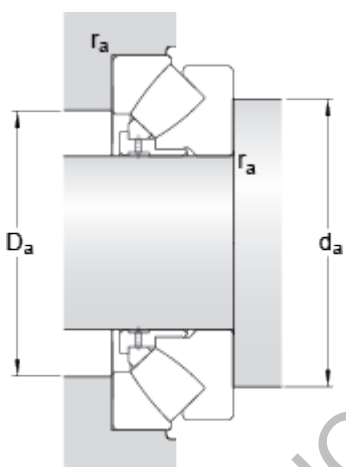
29376

Dimensions



d	380	mm
D	600	mm
H	132	mm
d ₁	≈ 580	mm
D ₁	≈ 477	mm
B	45	mm
B ₁	127	mm
C	63.5	mm
s	216	mm
r _{1,2}	min. 6	mm

Abutment dimensions



d _a	min. 495	mm
D _a	max. 535	mm
r _a	max. 5	mm

Calculation data

Basic dynamic load rating	C	3340	kN
Basic static load rating	C ₀	14000	kN
Fatigue load limit	P _u	1160	kN
Reference speed		530	r/min
Limiting speed		1000	r/min
Minimum axial load factor	A	19	

Mass

Mass bearing		140	kg
--------------	--	-----	----